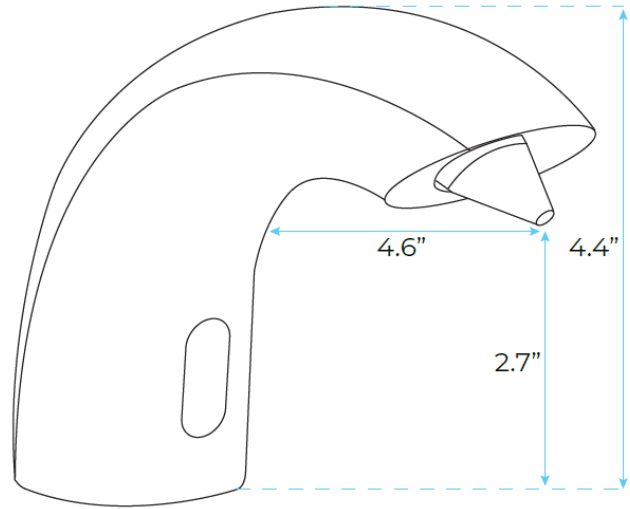


## FONTANA MILAN COMMERCIAL ELECTRONIC SENSOR SOAP DISPENSER IN VENETIAN BRONZE FINISH SPECS



### **SPECS :**

Product Type: Commercial  
 Main Construction Material: Brass  
 Mount Type: Deck  
 Handle Type: Infra-Red  
 Power Rating: AC/DC  
 Soap Pump: 6 Volt  
 Batteries Required: 4 D Batteries (not supplied)  
 Number of Tap Holes: 1  
 Valve/Cartridge Type: Solenoid Valve  
 Plumbing System Requirements: Suitable for all plumbing systems  
 Sensing Range: 0 - 8cm  
 Activation Time: 0.5 - 1 secs  
 Viscosity of Liquid Soap: 100-3500cp (mpA .s)  
 Isolation Included: NO

